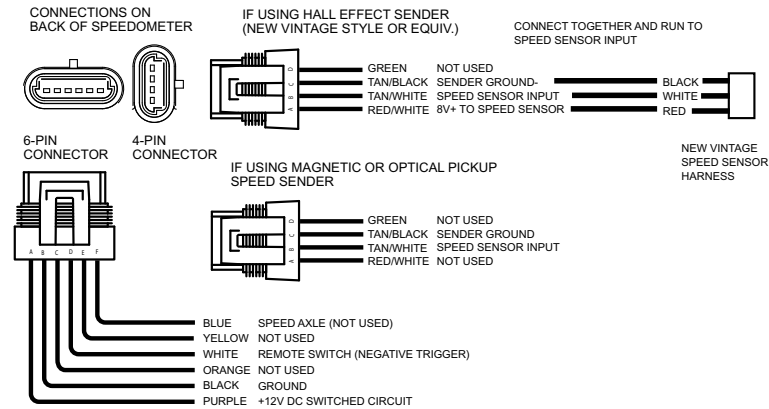


**SPEED SENDER STYLES:**

**HALL EFFECT (INCLUDED) 3 WIRES, USES AN ALTERNATING + THEN - SIGNAL**

**MAGNETIC OR OPTICAL:** USUALLY 2 WIRES, CAN USUALLY BE WIRED EITHER WAY. GIVES A GROUND NO GROUND SIGNAL (ON-OFF)



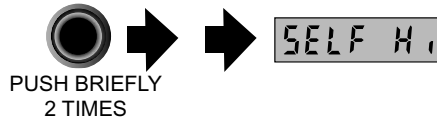
**NEW VINTAGE PROGRAMMABLE SPEEDOMETER QUICK CARD**

**CALIBRATING THE SPEEDOMETER**

With the key on, in normal operating position, press the remote pushbutton for approximately 2 seconds. The word HELLO will appear in the odometer window



When the button is released, it will read "CLR ODO" scroll through the menu by briefly pressing the button and the 3rd item will be "self HI"



Wait 4 seconds and "PENDING" will appear. The speedometer is now waiting for input to start counting pulses per mile. Push the button, drive a measured mile, do not turn off ignition, stopping and starting movement is OK. "SELF HI" will appear while driving.



At the end of the mile, push the button again, "CALCING" will appear briefly. Push the button 2 more times to "DONE" your speedometer is now calibrated, enjoy. You may repeat the process as many times as needed. The setting will be stored in the microprocessor, even when the power is off.

